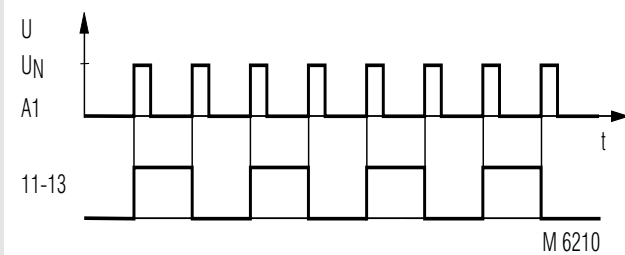


- According to IEC/EN 60 669
- 1 NO contact or 1 changeover contact
- Contact current 16 A
- Quiet switching
- Suitable for continuous operation installed in rows
- Glow lamp load 10 mA (AC 230 V)
- OA 8717 for installation in flush-mounted boxes (on request)
- IK 8717: width 17,5 mm
- OA 8717: for flush-mounted boxes with a diameter of 60 mm

Function diagram



Approvals and marking



Function

Pulse relay:
Every time an activation pulse is received, the output contact is switched and stays in the operating position it has adopted until the next pulse occurs.

Technical data

Input

Nominal voltage U_N : AC 24, 42, 230 V; DC 24 V
Voltage range: 0,9 ... 1,1 U_N
Nominal consumption: about 1,5 VA; DC approx. 1 W
 about 17 VA (230 V-version)
Nominal frequency (AC): 50 / 60 Hz
Frequency range: $\pm 5\%$

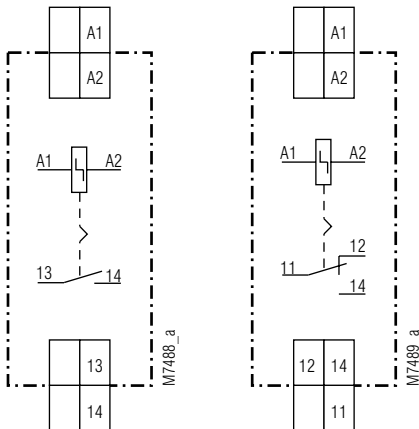
Permissible parallel capacity
 of the control line at AC 230 V: 100 nF
 (corresponds to a cable length of about 1 000 m)

Min. switching-on time: 40 ms
Minimum pause time: 180 ms
Glow lamps parallel to the pushbutton: 10 mA at AC 230 V

Output

Contacts
 IK 8717.01: 1 NO contact
 IK 8717.11: 1 changeover contact
Nominal output voltage: AC 250 V
Fluorescent lamp load: 20 x 58 W series compensated, duo switching
 10 x 58 W with an electronic ballast unit
Thermal current I_{th} : 16 A
Bulb load: 1 500 W
Switching frequency: 4 switching cycles / s
Short circuit strength
max. fuse rating: 16 A gL IEC/EN 60 947-5-1
Mechanical life: > 10 x 10⁶ switching cycles (AC 230 V, DC 24 V)
 > 0,1 x 10⁶ switching cycles (AC 24 V, 42 V)

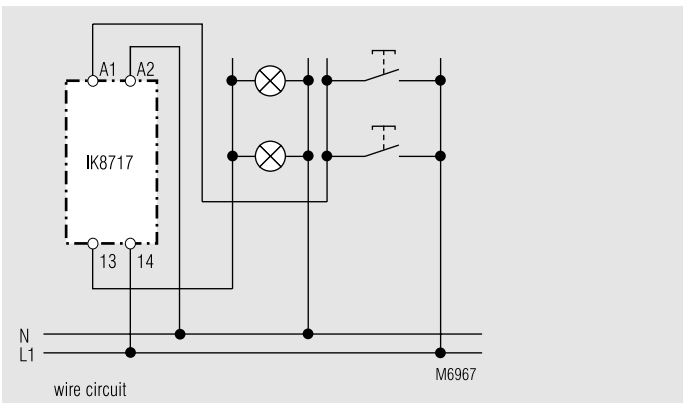
Circuit diagram



IK 8717.01

IK 8717.11

Connection example



Technical data

General data

Operating mode: Pulse operation
(continuous operation allowed)

Temperature range: - 20 ... + 45°C

Clearance and creepage distances

overvoltage category/
contamination level: 4 kV / 2 IEC 60 664-1

EMC

Electrostatic discharge: 8 kV (air) IEC/EN 61 000-4-2

HF irradiation: 10 V / m IEC/EN 61 000-4-3

Fast transients: 4 kV IEC/EN 61 000-4-4

Surge voltages

between

wires for power supply: 1 kV IEC/EN 61 000-4-5

between wire and ground: 2 kV IEC/EN 61 000-4-5

Interference suppression: Limit value class B EN 55 011

Degree of protection Housing: IP 40 IEC/EN 60 529

Terminals: IP 20 IEC/EN 60 529

Housing: Thermoplastic with V0 behaviour
according to UL subject 94

Vibration resistance: Amplitude 0,35 mm
frequency 10 ... 55 Hz IEC/EN 60 068-2-6

Climate resistance: 20 / 45 / 04 IEC/EN 60 068-1

Terminal designation: EN 50 005

Wire connection

IK 8717: 1 x 2,5 mm² solid or
2 x 1,5 mm² stranded ferruled
DIN 46 228-1/-2/-3/-4

OA 8717: Wires on the unit

Wire fixing

IK 8717: Flat terminals with self-lifting
clamping piece IEC/EN 60 999-1

Mounting:

IK 8717: DIN rail IEC/EN 60 715

Weight: 60 g

Dimensions

Width x height x depth:

IK 8717: 17,5 x 89 x 58 mm

OA 8717: 40 x diameter 58 x 22 mm

Standard type

IK 8717.01 AC 230 V

Article number: 0047165

• Output: 1 NO contact

• Nominal voltage U_N : AC 230 V

• Width: 17,5 mm

Ordering example

IK 8717 .01 AC 230 V 50 / 60 Hz

