

Type BD 5923
safemaster



Model BD 5923



Features

- Category 2, 3 or 4, SIL CL3
- LED status indication of pushbutton functions
- Monitors up to 8 pushbuttons
- Can be used with extender modules BD 5923.07/010 (seven button increments)
- Compact 45 mm wide case
- Internal auxiliary power supply protection with automatic reset
- 24V DC auxiliary power supply

Description

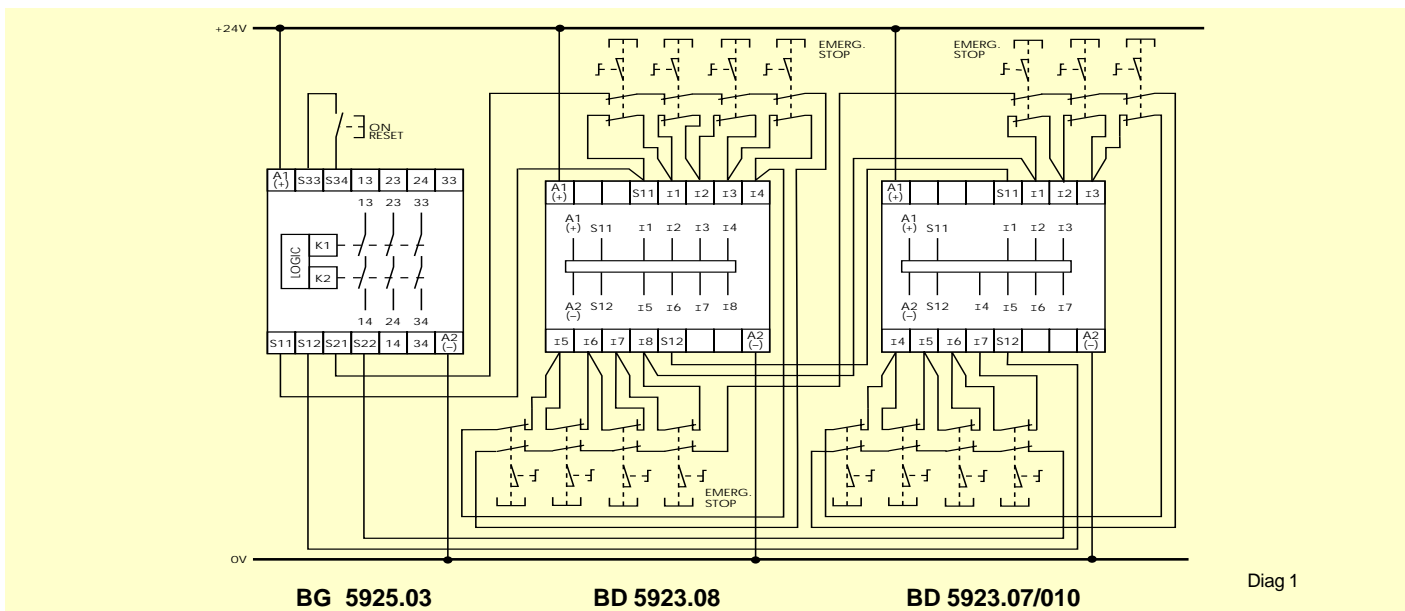
Model BD 5923 has designed to monitor the actuation of several emergency stop pushbuttons or safety gates, when connected in series with Dold emergency stop relays. BD 5923 has no influence on the integrity of the safety circuit it is monitoring and gives LED indication of which pushbutton or safety gate has been depressed or opened. BD 5923 can monitor up to eight safety inputs and can also be used with extender module BD 5923.07/010 to monitor a greater number of inputs in multiples of seven. When the E-stop inputs are closed the corresponding LED on BD 5923 will illuminate, when the inputs are opened the corresponding LED will turn off. If more than one input is opened only the first LED in the chain will turn off, when the input is reset BD 5923 will indicate the next Input that has been opened (see function diagram overleaf).

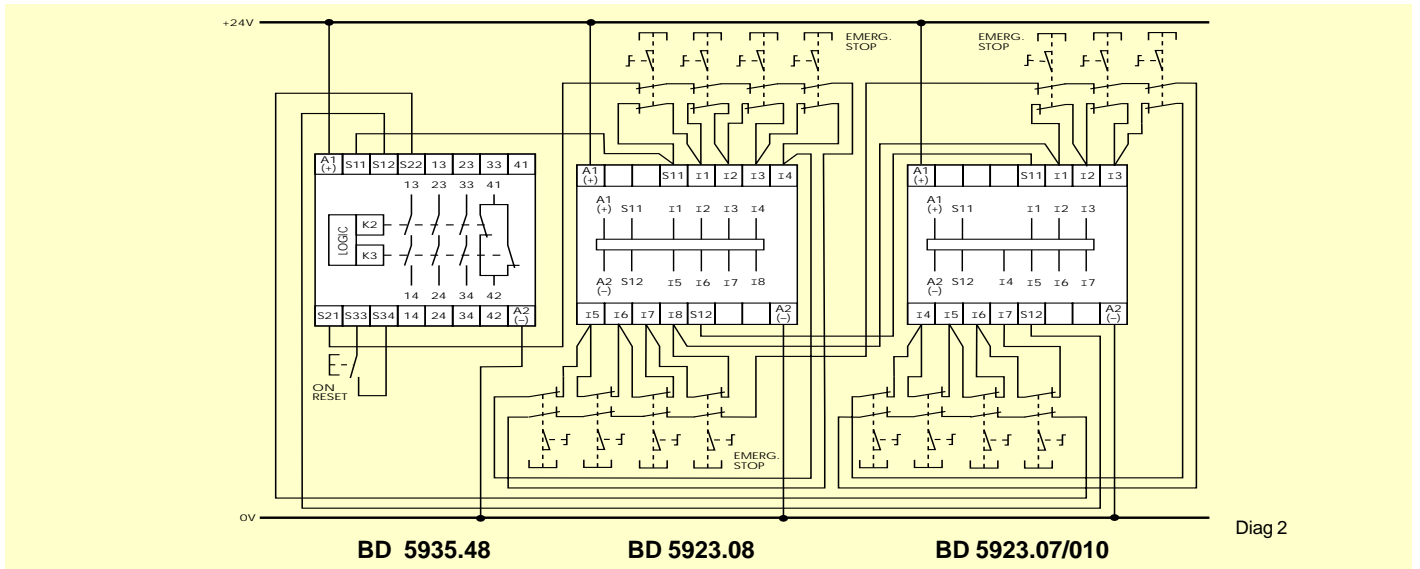
Indication

The relay is equipped with nine LED's. When illuminated the top left LED indicates that power is connected. When LED's I1 to I8 are illuminated they indicate the E-stop circuit is healthy. When LED's I1 to I8 turn off this indicates the E-stop circuit has been opened.

Circuit Connections

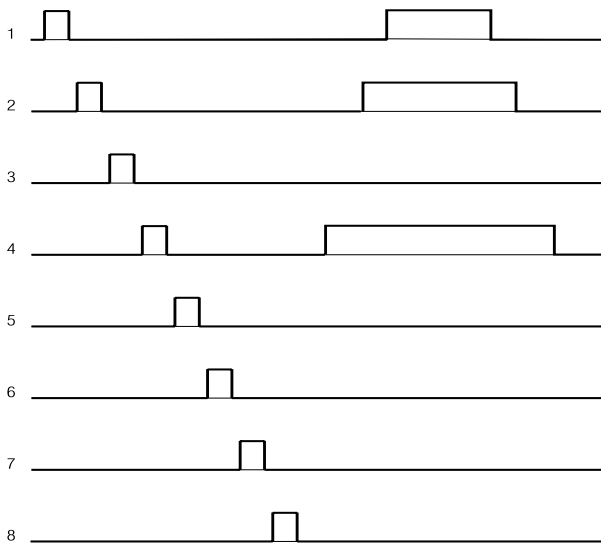
The schematic diagrams show the composite arrangement of an Emergency Stop relay together with two BD 5923 pushbutton monitoring units shown connected to fifteen Emergency Stop pushbuttons.



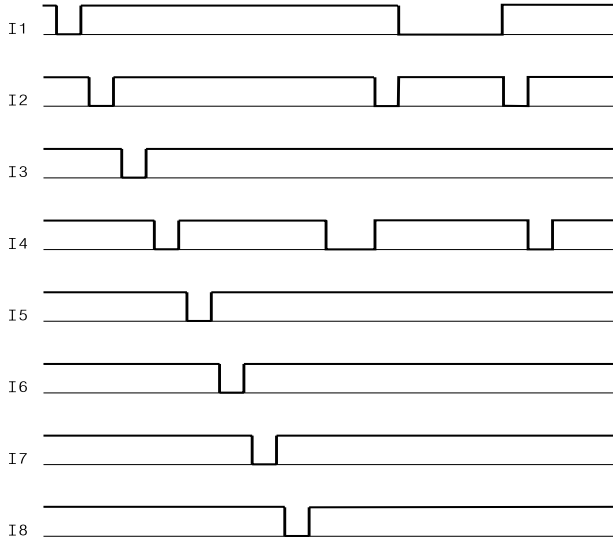


Function Diagram

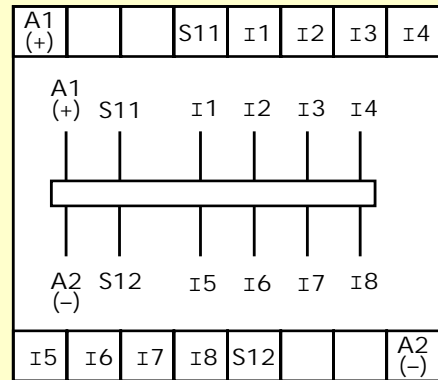
Emergency stop pushbutton



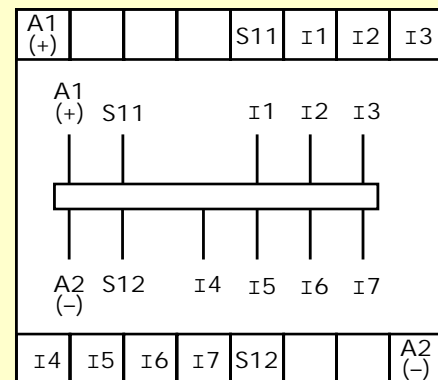
LED



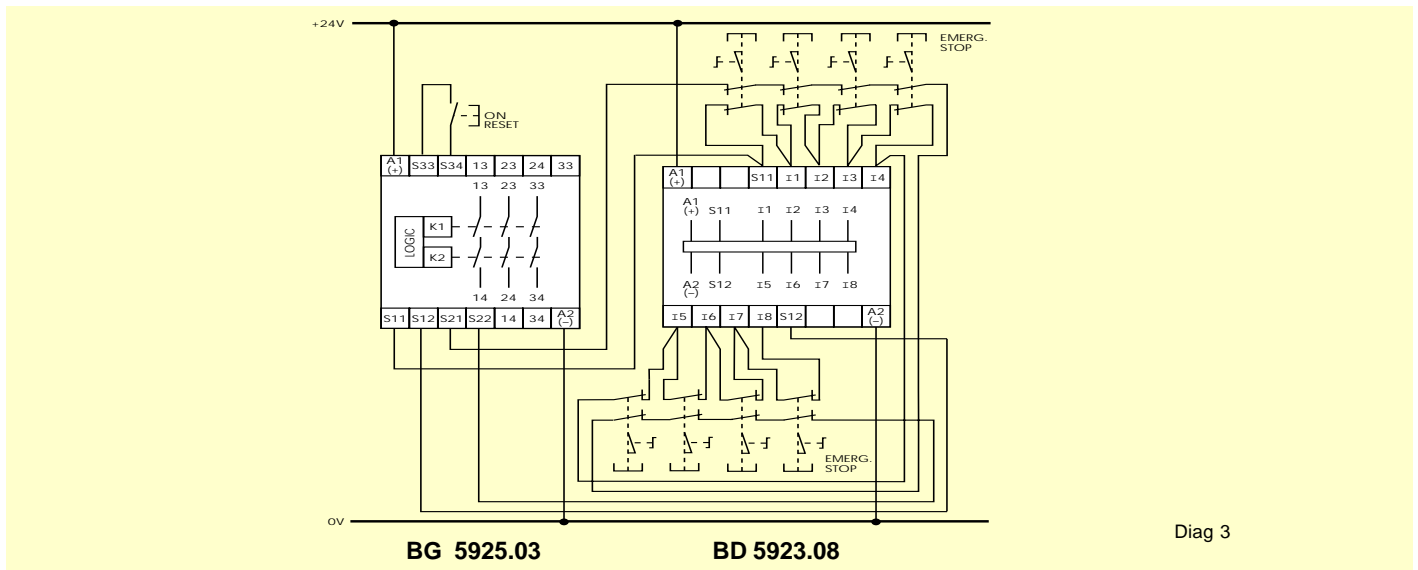
Terminal Layout



BD 5923.08



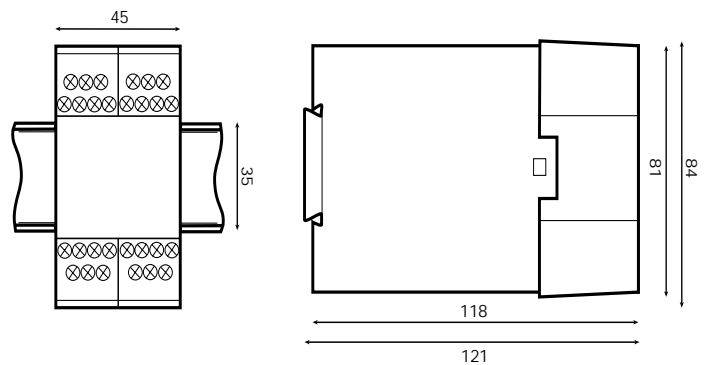
BD 5923.07/010



Specifications

Nominal Voltage (Vn)	24V dc
Burden	0.6 W dc
Voltage Tolerance	0.8... 1.1Vn
Control Voltage	I1 to I8, 24V dc
Operating Temperature	-15°C... +55°C at 90% RH
Protection Class	Case IP40 Terminals IP20
Test Voltage	2.5KV 1 minute
Shock Loading	Amplitude 0.35mm Frequency 10 – 55Hz (5g @ 50Hz)
Enclosure Material	Thermoplastic VO Rating UL94
Terminations	1 x 4mm ² solid 2 x 2.5mm ² solid 1 x 2.5mm ² stranded ferruled 1 x 1.5mm ² stranded

Dimensions



Weight 0.16 Kg

Information Required With Order

- Model type • Auxiliary supply
- Example: E - Stop button Monitor Type BD 5923.08
Auxiliary Supply 24V dc*