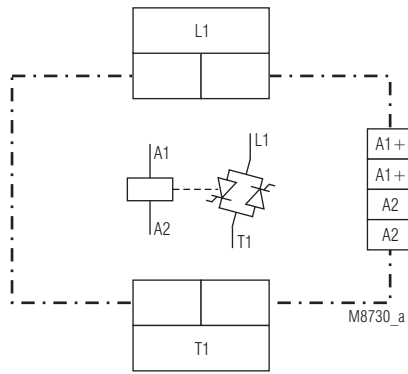
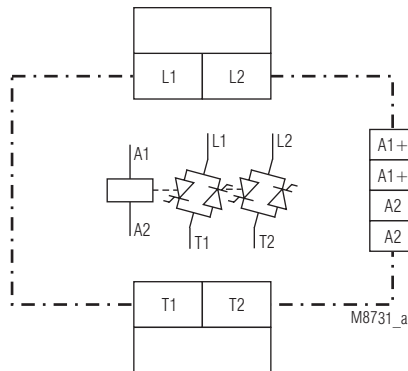


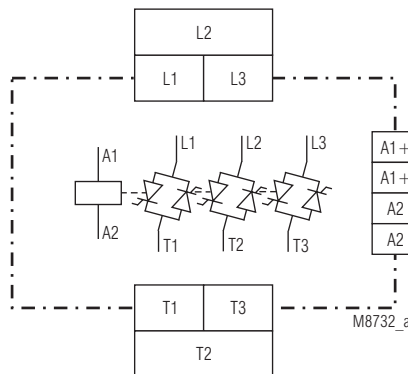
Circuit Diagrams



BF 9250.91/008 (1-pole)



BF 9250.92/008 (2-pole)



BF 9250.93/008 (3-pole)

Connection Terminals

Terminal designation	Signal description
A1 (+), A2	Control or operating voltage
L1, L2, L3	Mains connections
T1, T2, T3	Load output

Technical Data

Input:

Control voltage A1/A2:	DC 24 V
Control voltage range:	
1-pole:	DC 4 ... 32 V
2-pole:	DC 7 ... 32 V
3-pole:	DC 9 ... 32 V
Start up delay [ms]:	≤ 1 + 1/2 period *)
Release delay [ms]:	≤ 1 + 1/2 period *)
	*) for variant with immediate switching only 1 periode for on and off delay

Output

Load output T1, T2, T3

Load currents at 100 % duty cycle:

BF 9250/008	Ambient temperature	Width		
		22.5 mm	45 mm	90 mm
1-pole	25°C	13 A	30 A	55 A
	40°C	10 A	25 A	50 A
2-pole	25°C	7 A	17.5 A	28 A
	40°C	6.5 A	15 A	25 A
3-pole	25°C	6 A	14 A	20 A
	40°C	5 A	10 A	15 A

Current reduction over 40°C

BF 9250/008	Device without heat sink	Device with small heat sink	Device with large heat sink
1-pole	0.2 A / °C	0.4 A / °C	0.6 A / °C
2-pole	0.2 A / °C	0.3 A / °C	0.4 A / °C
3-pole	0.2 A / °C	0.2 A / °C	0.3 A / °C

Min. load current:	AC 40 mA
Rated load voltage range:	AC 24 ... 240 V, AC 24 ... 480 V
Frequency range:	50 / 60 Hz
Leakage current in off state:	Approx. 1.0 mA
Peak reverse voltage:	± 1200 Vp
Short circuit current at t=10 ms	
BF 9250.91, BF 9250.92:	600 A
BF 9250.93:	400 A
Power dissipation:	P = 1.2 [V] x I eff. [A] / k [W] with k as formfactor and k = 1.11 for sinusoidal current

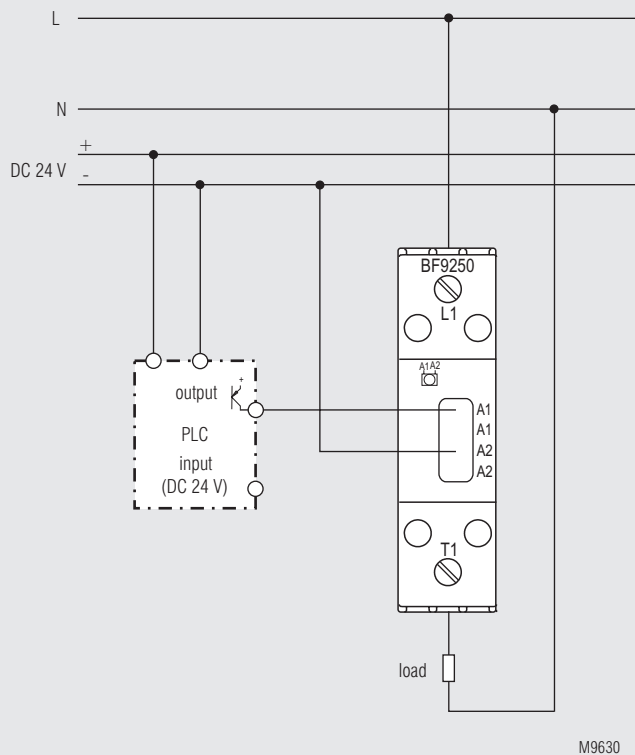
Semiconductor fuse

	I _N	Load limit integral of the semiconductor*)	Semiconductor fuse		
			Type	Art.-No.	Brand
1-pole devices	10 A	1800 A ² s	fuse 10 x 38 NH-00	6003434.16	SIBA
	25 A			6003434.30	
	50 A			2020920.63	
2-pole devices	2 x 6.5 A	1800 A ² s	fuse 10 x 38	6003434.10	SIBA
	2 x 15 A			6003434.20	
	2 x 25 A			6003434.30	
3-pole devices	3 x 5 A	800 A ² s	fuse 10 x 38	6003434.8	SIBA
	3 x 10 A			6003434.16	
	3 x 15 A			6003434.20	

*) up to 18000 A²s: on request

Varistor voltage: AC 510 V

single phase system

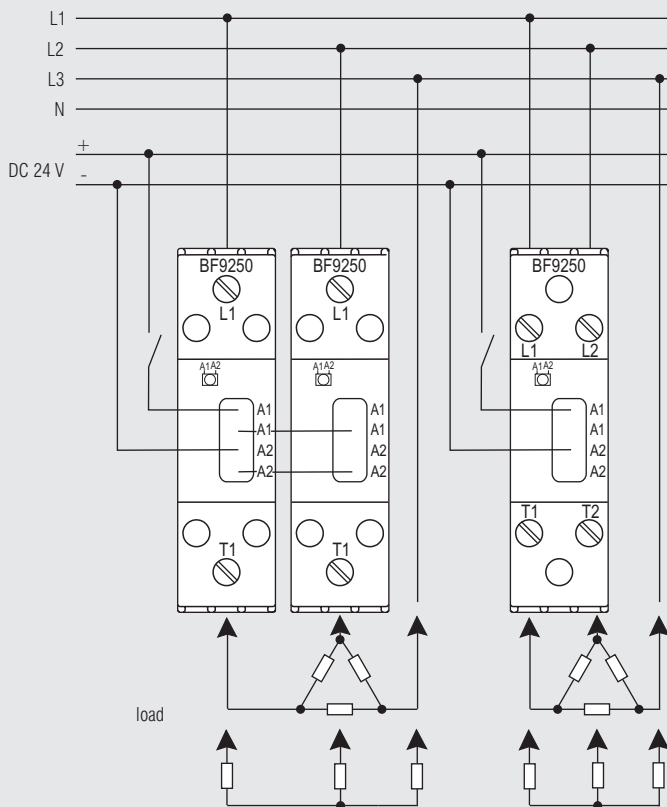


M9630

Single phase load switched by 1-pole semiconductor contactor controlled from PLC or Temperature controller output.

Width mm	22.5	45	90
I_L / phase	10 A	25 A	50 A

3-phase system, 2 phases controlled



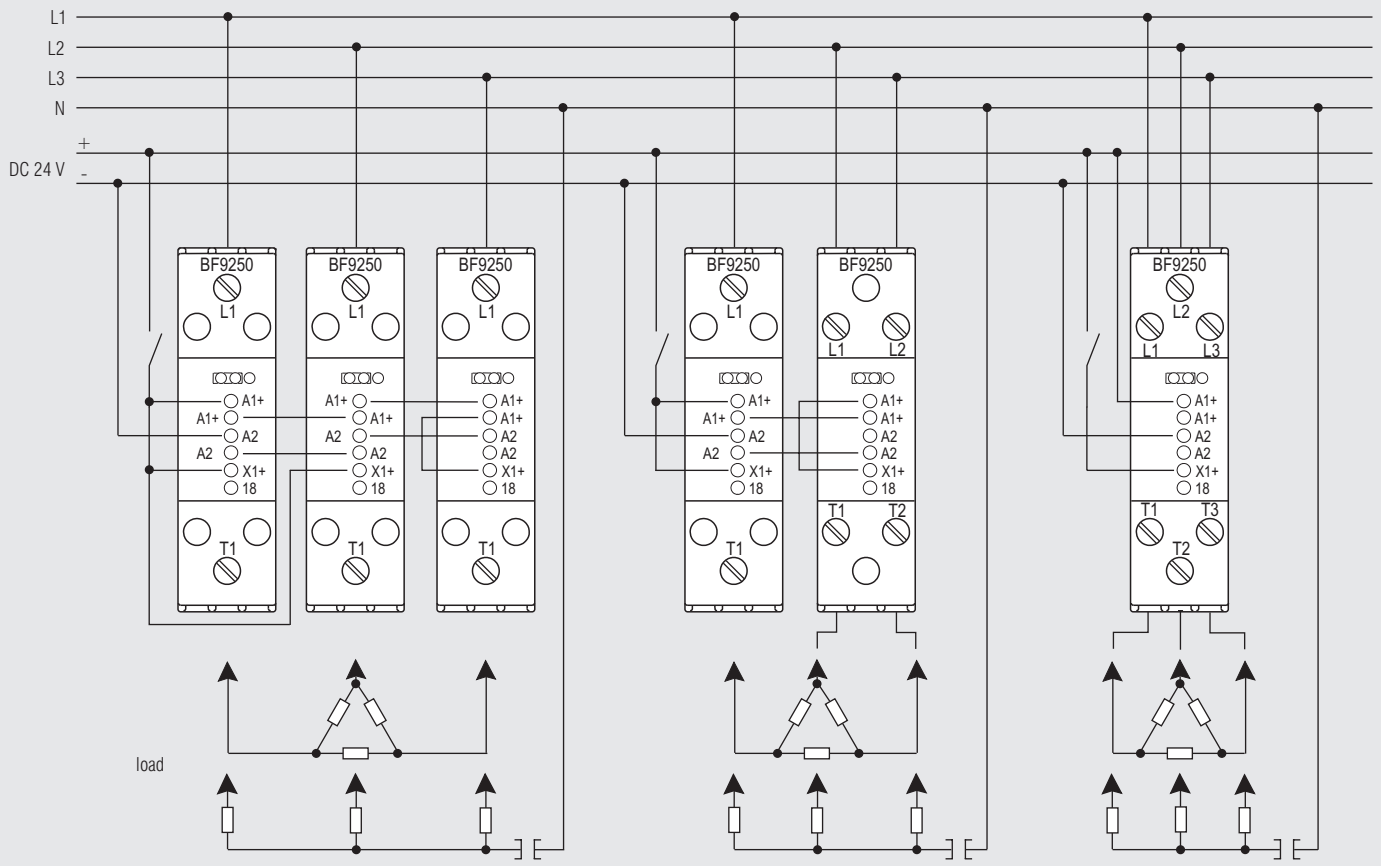
M9631

3-phase load, switched by 2 single-pole semiconductor contactors (left side) or by 1 2-pole semiconductor contactor (right side)

22.5	45	90
10 A	25 A	50 A

22.5	45	90
6.5 A	15 A	25 A

3-phase system, 3-phases controlled



M9633

3-phase load switched by 3 single-pole semiconductor contactors

3-phase load switched by 1 single-pole and 1 2-pole semiconductor contactor

3-phase load switched by 1 3-pole semiconductor contactor

Width mm	22.5	45	90
I_L / phase	10 A	25 A	50 A

22.5	45	90
6.5 A	15 A	25 A

22.5	45	90
5 A	10 A	15 A

