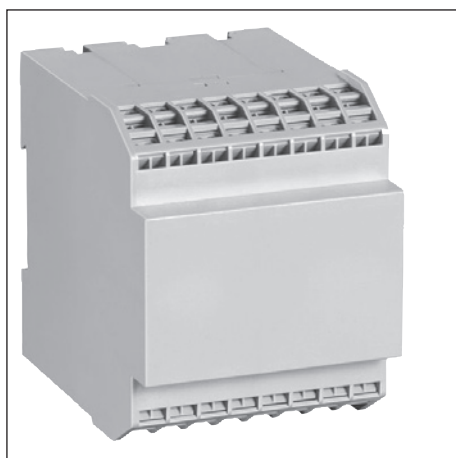
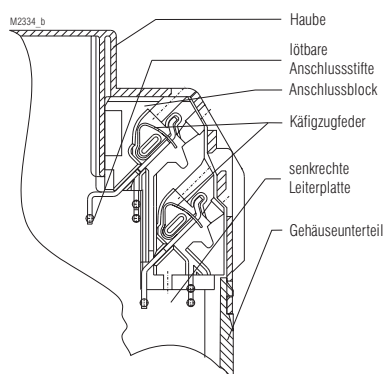


Insulated Enclosure KO 4914

for surface mounting and mounting in cabinets,
with cage clamp terminals



- Width 70 mm
- Max. 32 terminals with each 2 cage clamp terminals
- Machine solderable connections
- Housing supplied as single parts, terminals prefitted in terminal blocks

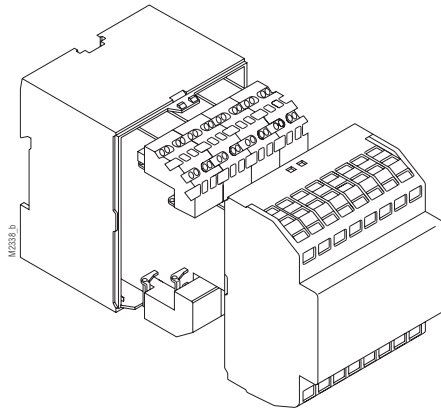


Cage clamp for soldering

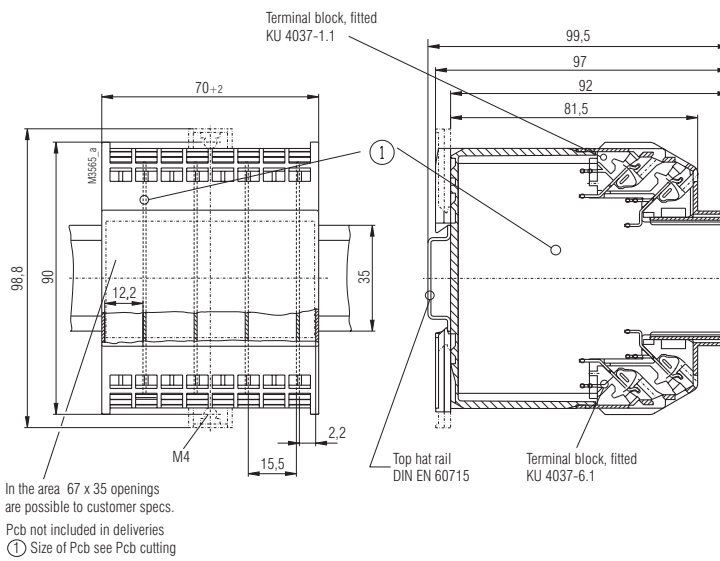
Technical Data

Order reference:	KO 4914.0050314		
Outer dimensions:	70 x 90 x 97 mm		
Enclosure material:	PC-GF, light grey RAL 7035		
Temperature stability:			
complying with UL 746 B:	125 °C		
complying with Vicat ISO 306	Meth. B:	148 °C	
complying with ISO 75-2	Meth. A:	138 °C	
	Meth. B:	144 °C	
Max. permitted power dissipation:	14 W for stand-alone enclosure at normal climate 23/50-1	ISO 554	
Specific thermal resistance:	R _{th} = 4 K / W for stand-alone enclosure		
Flame retardancy complying with UL 94:	V-0		
complying with IEC 60 707:	BH 2-30		
Number of terminals:	32; < 32 on request		
Terminal material:	High grade steel / Copper alloy, tin-plated		
Max. cross section for connection:	2 x 1,5 mm ² solid or 2 x 1,5 mm ² stranded or 2 x 1 mm ² stranded ferruled min. Ø 0,1mm solid AWG 24 DIN 46 228-1/-2/-3/-4		
Insulation of wires length:	8 mm		
Max. contact resistance to printed circuit board:	10 mΩ		
Max. current carrying capacity:	10 A		
Wire fastening:	Cage clamps		
Required tool:	Screwdriver ISO 2380-1-B0,5x3		
Inner connection:	Machine-solderable terminal pins for PCB		
Enclosure fastener:	1) Snap-on fastener on top hat rail EN 50 022 2) Screw fixing M4, grid 90 mm with second clip as accessory		
Creepage current resistance:	CTI 175 [^] = insulated material III a	IEC 60 664-1	
Air gap and creepage distance:	≥ 4 mm		IEC 60 664-1
Type of protection	IEC 60 529		
Enclosure:	IP 40		
Terminals:	IP 20		
	Contact protection complies with VBG 4		
Print area:	70 x 44 mm on the front and 70 x 8 mm above the terminals		
Printed circuit board:	See printed circuit board design		
Printed circuit board holder:	Guide ribs		
Component installation height for a vertical printed circuit board on component side:	≤ 63 mm		
on soldering side:	≤ 2,0 mm		
Net weight:	190 g		
Accessories:			
ET 4086-0-2:	Second clip for screw fixing		

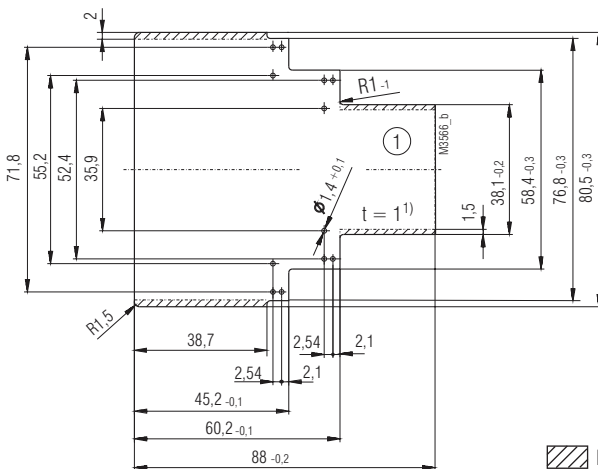
Exploded view



Dimensions



Printed circuit board design



Inhibited surface

In this area max. component and pin height 1,4 mm

¹⁾ Tolerance complying with IEC 60 249-2-4
General tolerance PERFAQ 2 E