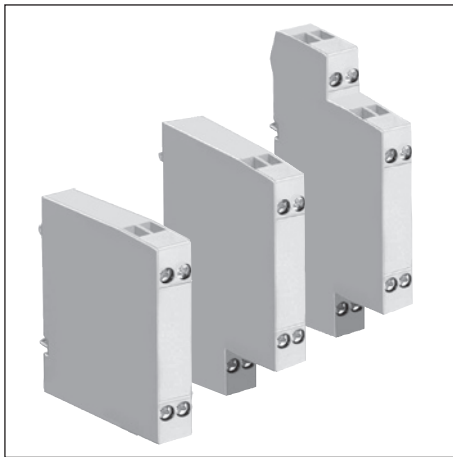
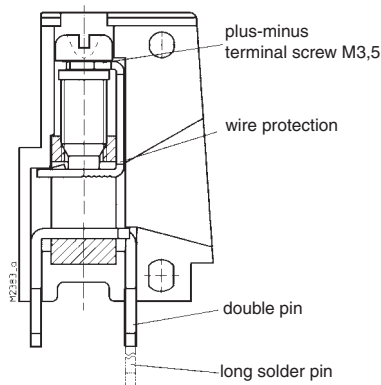


# Insulated Enclosure KO 4071, KO 4072, KO 4073 with box-terminals for machine soldering

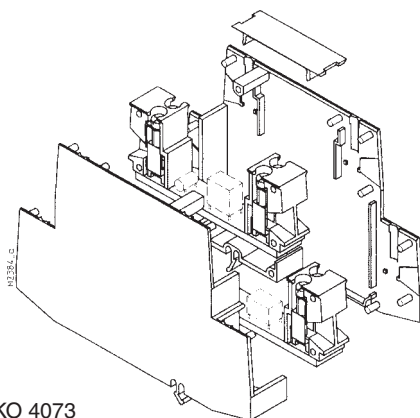


- Width 12.5 mm
- Optionally with max. 4, 6 or 8 captive plus-minus-terminal screws
- Mounting of pcb's in 2 planes
- With machine solderable double pins
- Optionally with long soldering pin (see drawing "Inner connection")
- Optionally with changeable front plate

Supplied unassembled, in kit form.



Box terminals with machine-solderable double pins



KO 4073

## Technical Data

Order reference:

Insulated Enclosure with double pin  
without fixed front plate: KO 4071.0034914 KO 4072.0034915 KO 4073.0034916  
with opaque removable front plate KO 4071.0039199 KO 4072.0039203 KO 4073.0039207  
with clear removable front plate KO 4071.0039200 KO 4072.0039204 KO 4073.0039208  
Insulated Enclosure with long soldering pin  
without fixed front plate: KO 4071.0035717 KO 4072.0035719 KO 4073.0035720  
with opaque removable front plate KO 4071.0039201 KO 4072.0039205 KO 4073.0039209  
with clear removable front plate KO 4071.0039202 KO 4072.0039206 KO 4073.0039210

### Outer dimensions:

KO 4071: 12.5 x 60 x 60 mm  
KO 4072: 12.5 x 75 x 60 mm  
KO 4073: 12.5 x 90 x 60 mm

Enclosure material: PC-GF, light grey RAL 7035

Temperature stability		
complying with UL 746 B:		125 °C
complying with Vicat ISO 306		Meth. B: 148 °C
compl. with ISO 75-2		Meth. A: 138 °C
		Meth. B: 144 °C

Max. permitted power dissipation: 2 W at normal climate 23/50-1 ISO 554

Flame retardancy  
complying with UL 94: V-0  
complying with IEC 60 707: BH 2-30

### Number of terminals

KO 4071: 4  
KO 4072: 6  
KO 4073: 8 } less on request

Terminal material: CuSn tin-plated

Max. cross section for connection: 4 mm<sup>2</sup> solid  
2.5 mm<sup>2</sup> stranded ferruled DIN 46 228-1/-2/-3/-4

Insulation of wires length: 8 mm

Max contact resistance to  
Printed circuit board: 10 mΩ  
Max. current carrying capacity: 16 A

Wire fastening: captive plus-minus-terminal screws M3.5  
Box terminals with self-raising wire protection

Torque: max. 0.8 Nm

Inner connection: machine solderable double pins for PCB  
optionally with long soldering pin

Enclosure fastener: Snap-on fastener on top hat rail EN 50 022

Tracking current resistance: CTI 175 ≅ insulating material III a IEC 60 664-1

**Air gap and creepage distances:** ≥ 3.2 mm

Type of protection  
Enclosure: IP 40 IEC 60 529  
Terminal strip: IP 20 IEC 60 529  
contact protection complies with VBG 4

Print area: 33 x 10.5 mm

### Printed circuit board

top	54 x 10 mm	54 x 10 mm	54 x 10 mm
bottom	58 x 10 mm	72 x 10 mm	86 x 10 mm

Thickness of PCB: 1.5 mm

Printed circuit board holder: Guide ribs in enclosure

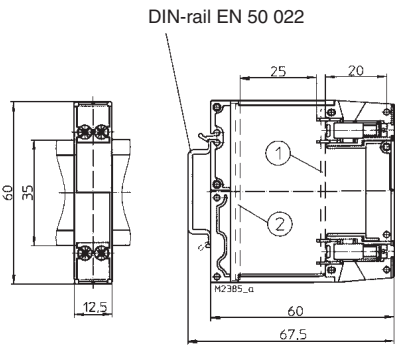
**Net weight** 25 g | 33 g | 40 g

### Accessories:

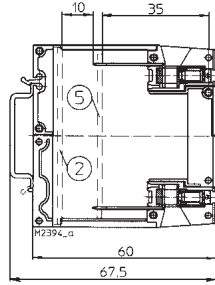
KO 4071-2.3: Terminal block with double pins  
KO 4071-2.4: Terminal block with long solder pins  
KO 4721-7-1.6: Blanking plug for part insertion

## Dimensions

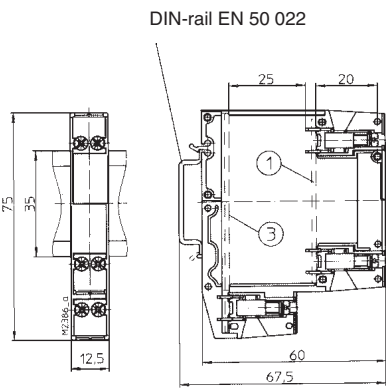
KO 4071.0034914  
with double pin



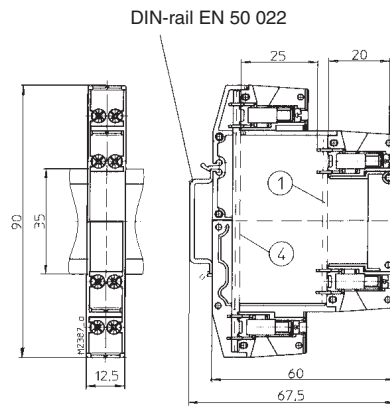
KO 4071.0035717  
with long soldering pin



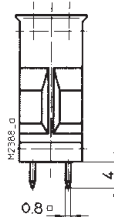
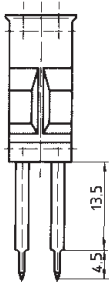
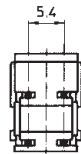
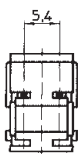
KO 4072.0034915  
with double pin



KO 4073.0034916  
with double pin



## Inner connection



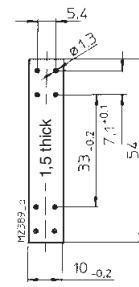
KO 4071-2.4  
long solder pins

KO 4071-2.3  
double pins

## Printed circuit board design

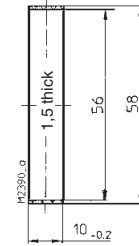
f. KO 4071  
KO 4072  
KO 4073

①



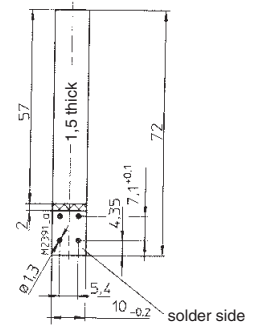
f. KO 4071

②



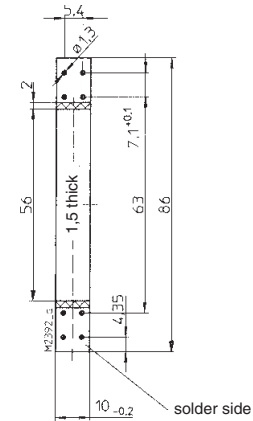
f. KO 4072

③

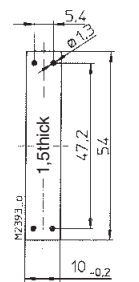


f. KO 4073

④



⑤



☒ both sides  
free of  
components