

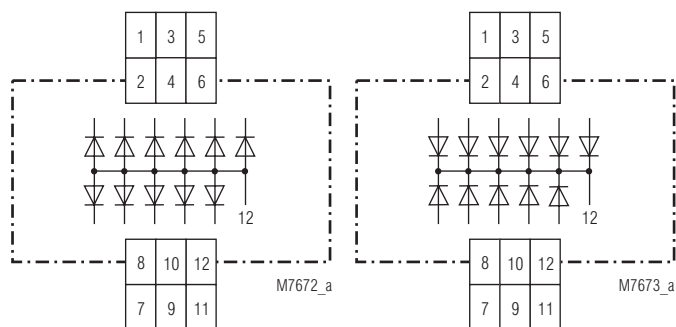


- For max. 11 indicator lamps
- Width 22.5 mm

### Product Description

The lamp tester MK 9994 and MK 9995 of the INFOMASTER series contains a diode group with either common anode or cathode. It blocks one lamp from the other in order to avoid influence. On AC-operation the lamps are only half illuminated.

### Circuit Diagrams



MK 9994

MK 9995

### Standard Types

MK 9994	
Article number:	0012938
MK 9995	
Article number:	0015889
• Width:	22.5 mm

### Ordering example for variants

MK 9994 / \_ \_  
 |  
 | Variant, if required  
 |  
 | Type

### Approvals and Markings



### Technical Data

**Nominal voltage:** AC 250 V

#### Data of diods

Current per output:	0.6 A at 100 % ED 1 A max. 3 min.
Periodical peak reverse voltage:	1000 V
Peak surge voltage:	1200 V
Peak surge voltage power dissipation:	1.0 kW for 10 µs
Max. peak current:	50 A for 10 ms
Periodical peak voltage:	1100 V

### General Data

<b>Operating mode:</b>	Continuous operation
<b>Temperature range</b>	
Operation:	- 20 ... + 60 °C
Storage:	- 20 ... + 60 °C
<b>Degree of protection</b>	
Housing:	IP 40 IEC/EN 60529
Terminals:	IP 20 IEC/EN 60529
<b>Housing:</b>	Thermoplastic with V0 behaviour to UL subject 94
<b>Vibration resistance:</b>	0,35 mm Amplitude, frequency 10 ... 55 Hz IEC/EN 60068-2-6
<b>Climate resistance:</b>	20 / 060 / 04 IEC/EN 60068-1
<b>Terminal designation:</b>	EN 50005
<b>Wire connection:</b>	2 x 2.5 mm <sup>2</sup> solid or 2 x 1.5 mm <sup>2</sup> str. wire with sleeve DIN 46228-1/-2/-3 2 x 0.75 mm <sup>2</sup> str. wire with sleeve DIN 46228-4
<b>Wire fixing:</b>	Plus-minus terminal screws M3,5 terminal with self lifting clamping piece, function acc. to IEC 60999-1
<b>Mounting:</b>	DIN rail IEC/EN 60715
<b>Weight:</b>	80 g

### Dimensions

**Width x height x depth:** 22.5 x 82 x 99 mm

