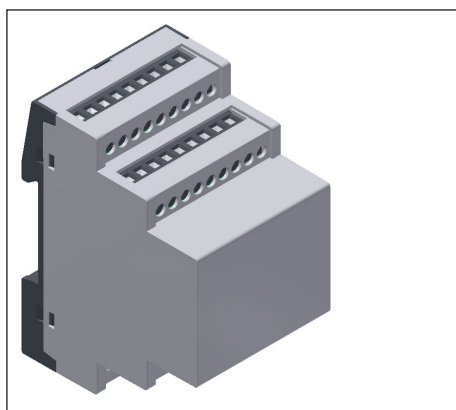


# Insulated Enclosures KU 4184

to DIN 43 880 for installation in distribution cabinets  
70 mm depth



## Your Advantages

- Modular and flexible
- Plenty of space
- Variable connection system
- Can be specifically tailored to customer requirements

## Features

- Module widths 52.5 mm
- Nominal depth 64 mm for overall panel depth maximum 70 mm to DIN 43 880
- Selectable enclosure configurations
  - without terminal
  - with printed circuit board terminals
  - with plug in screw terminals
  - with plug in cage clamp terminals
  - with various terminal combinations
- Suited for the accommodation of up to two horizontal PCBs with terminals and additional PCB for display and control or elements in the housing front; optionally for the accommodation of up to 6 vertical PCBs with terminals
- Enclosure openings for connection terminals, control elements and bus connectors KNX and RJ45 on request
- Base plates available with side walls for mounting of PCB assemblies

## Technical Data

Order reference:	Standard	UL
Closed:	0061101	0066505
PCB terminal:	0060118	0066507
Plug in screw terminal:	0060119	0066506
Plug in cage clamp terminal:	0066624	

**External dimensions:** 52.5 x 90 x 71

Enclosure material  
Cover: PC-GF, PC (UL) light grey RAL 7035  
Base plate: PC-GF, PC (UL) dark black RAL 9005

Temperature stability	PC-GF	PC (UL)
complying with UL 746 B:	115 °C	115 °C
complying with Vicat ISO 306		
Meth. B:	145 °C	146 °C
compl. with ISO 75-2 (1.8 MPa):	136 °C	123 °C
(0.45 MPa):	142 °C	142 °C

Max. permitted power dissipation: 10 W for stand-alone enclosure at normal climate 23/50-1 ISO 554

Specific thermal resistance:  $R_{th} = 6 \text{ K / W}$

Flame retardancy complying with UL 94: All enclosure materials: V-0

Number of terminals: 36; less on request

**Enclosure fastener:** Snap-on fastener on top hat rail EN 60 715

Creepage current resistance  
PC-GF: CTI 175  $\hat{=}$  insulated material III a IEC 60 112  
PC: CTI 225  $\hat{=}$  insulated material III a IEC 60 112

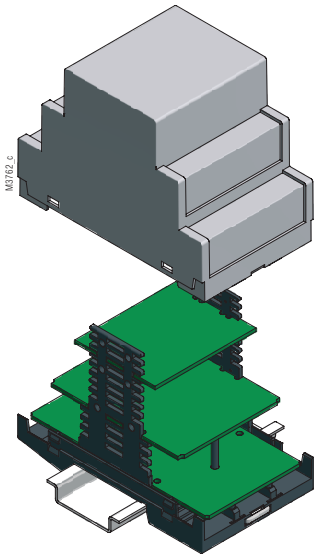
Type of protection: Enclosure IP 40 IEC 60 529  
Base plate IP 30  
(connector cut outs IP 20)

Print area: 50 x 41.5 mm

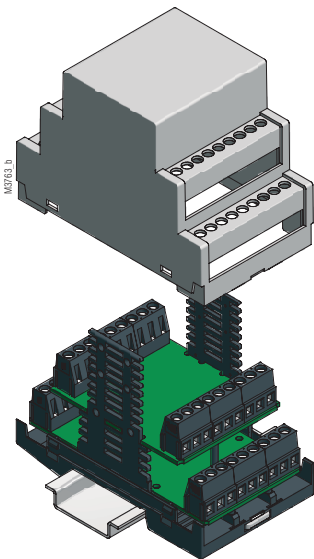
**Print circuit board:** See printed circuit board design  
Printed circuit board mounting  
horizontal: Fixed to the base by screws and / or by the side walls  
vertical: Guides in base and terminal plate

**More information see  
brochure  
Terminal overview GE02**

## Exploded view

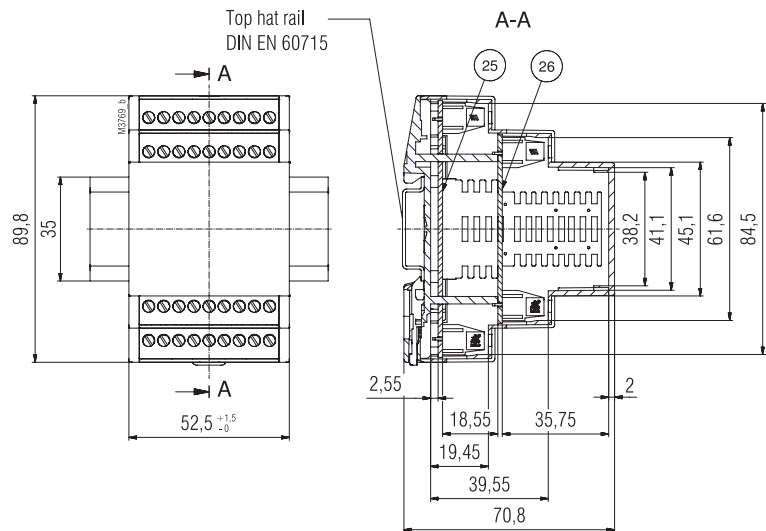
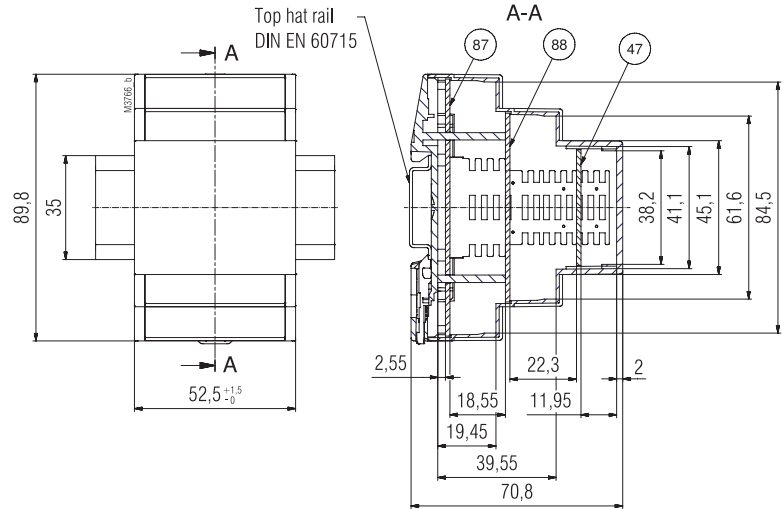


closed

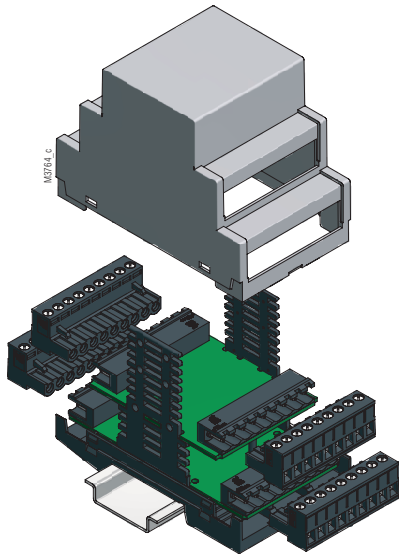


printed circuit board terminal

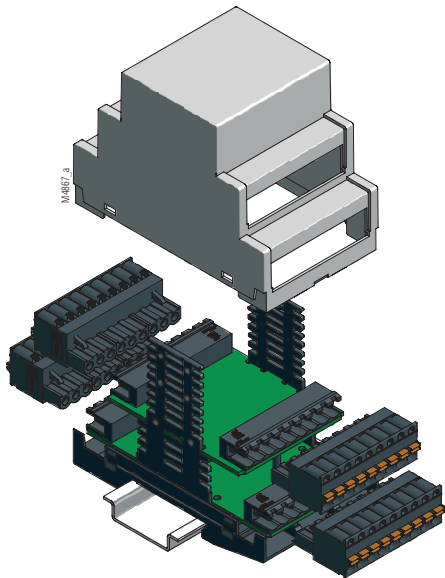
## Dimensions



## Exploded view

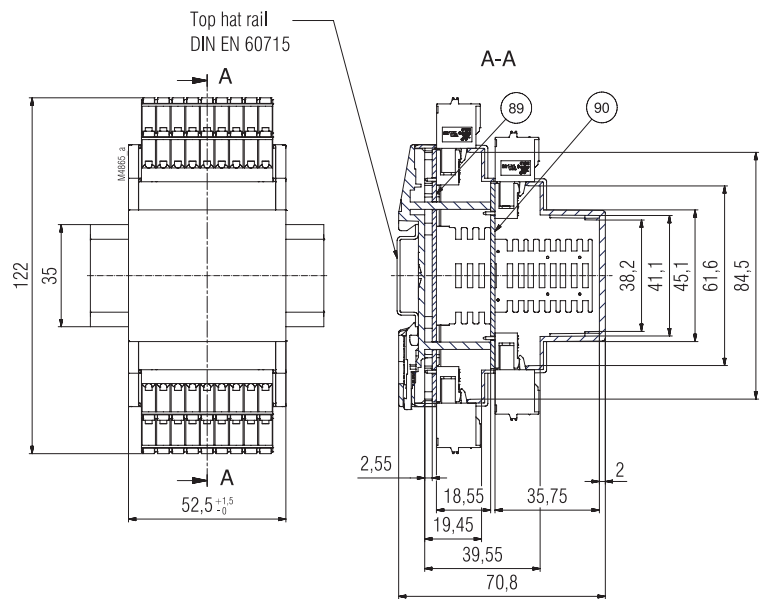
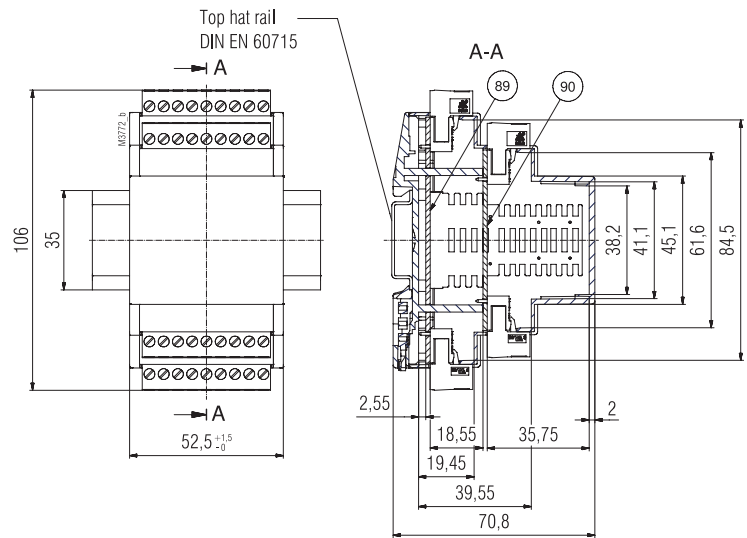


plug in screw terminal

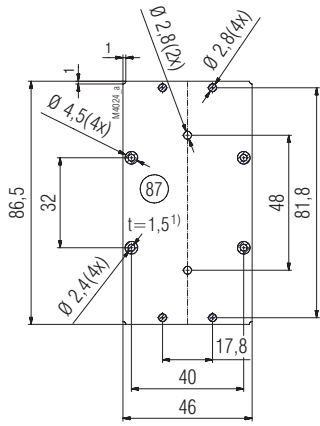


plug in cage clamp terminal

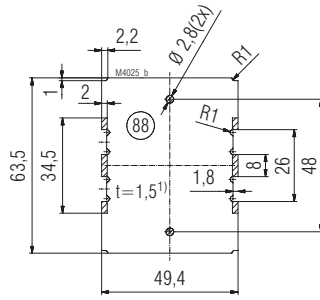
## Dimensions



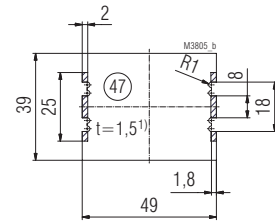
# Printed circuit board design



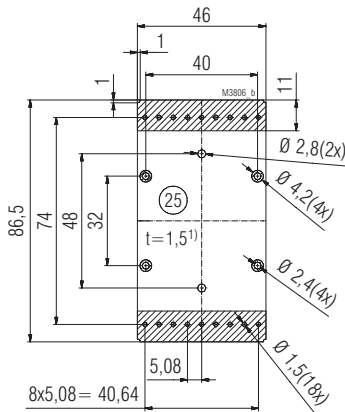
PCB in PCB-position Bottom  
for closed res. milled enclosure



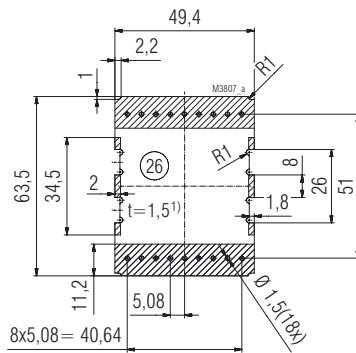
PCB in PCB-position Middle  
for closed res. milled enclosure



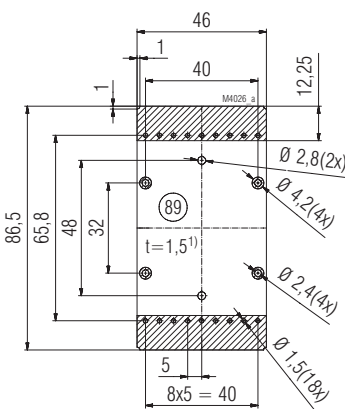
PCB in PCB-position Front  
for closed res. milled enclosure



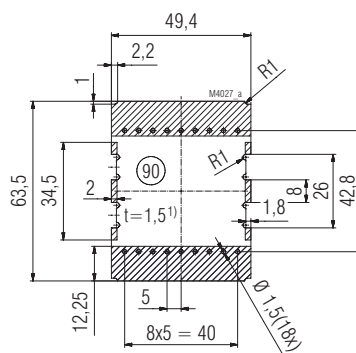
PCB in PCB-position Bottom  
for 2 x 9-pole PCB terminals



PCB in PCB-position Middle  
for 2 x 9-pole PCB terminals



PCB in PCB-position Bottom  
for 2 x 9-pole contact tag row  
(plug in screw terminals e.g.  
plug in cage clamp terminals)



PCB in PCB-position Middle  
for 2 x 9-pole contact tag row  
(plug in screw terminals e.g.  
plug in cage clamp terminals)



1) Tolerance at DIN EN 60 249-2-4; General tolerance: PERFAG 2 E  
Holes  $\varnothing 2,4$  on request for cylindrical screws ISO 1207 M2x4